



Human Machine Interface
XGT Panel XP Series



Windows CE based new HMI

XGT Panel **XP** Series

Fresh start with XP series suits your every requirement.

neXt Generation Technology

Advanced technology for the customers.

XGT Panel Series is a brand new HMI product with an intensive and advanced technology of LSIS to cope with the rapidly changing market situation. It is an innovative product having both reliability and convenience based on the Windows CE.

With the user-oriented convenience, it offers high resolution display, prompt data transmission and processing, and an user-friendly interface.

LSIS provides the Leading Solution to the automation field with the XGT Panel Series.

We are confident of our XGT Panel Series which contains high technology and our commitment to quality at the HMI market.



Superb performance, convenient functions

- High and vivid distinction with 65,536 colors.
- Various vector symbols and high quality raster symbols.
- Support diverse file types including BMP, JPG, GIF, and WMF, etc.
- Simple movie clip effects with GIF animation.
- 10/100 BASE-T Ethernet interface.
- Convenient and easy screen editing.
- Strengthened data management (Logging, Recipe, and Alarm).
- Read function of a controller's state information (Monitoring and maintenance).
- Multi-lingual display up to 4 languages and easy switching.
- Offline program simulation.
- Tag function of the HMI S/W (Easy to change the address of the graphic objects).
- USB host for the use of peripheral devices (Mouse, keyboard, printer, etc.)
- Sufficient memory space for screen saving (10MB).

XGT Panel XP Series Line Up

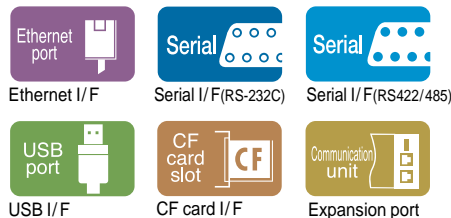
A new and improved Windows CE-based HMI—

38cm (15 inch) **XP90-TTA**



TFT color
XGA (1024×768)
65,536 colors

External Interface

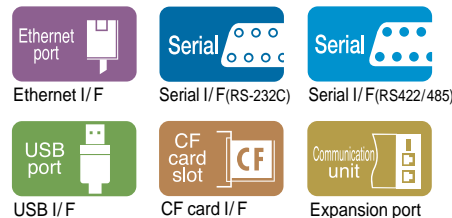


31cm (12.1 inch) **XP80-TTA**



TFT color
SVGA (800×600)
65,536 colors

External Interface

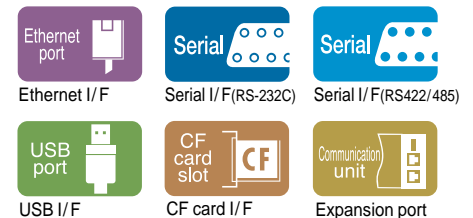


26cm (10.4 inch) **XP70-TTA**



TFT color
VGA (640×480)
65,536 colors

External Interface



Speed

XP series has Ethernet interface for the rapid transmission of data. XP series communicates with some PLCs and transmit data promptly through the Ethernet interface.

Expression

XP series supports 65,536 full color display and its mass storage of the flash memory offers best quality.

Variety

XP series supports not only BMP, JPG graphic file types but also WMF, GIF file for making a movie clip drawing on the screen.

SVGA

Upgrade
65,536



XGT Panel **XP** Series

21cm (8.4 inch) **XP50-TTA/TTE**



XP50-TTA TFT color / 64,536 colors
VGA (640×480)

XP50-TTE TFT color / 256 colors
VGA (640×480)

External Interface



Ethernet I/F



Serial I/F(RS-232C)



Serial I/F(RS422/485)



USB I/F



CF card I/F



Expansion port

※XP50-TTE: Serial I/F (RS-232C, RS-422/485) and USB I/F only

14cm (5.7 inch) **XP30-TTA/BTA**



XP30-TTA TFT color / 65,536 colors
QVGA (320×240)

XP30-BTA STN MONO (8-bit Gray)
QVGA (320×240)

External Interface



Ethernet I/F



Serial I/F(RS-232C)



Serial I/F(RS422/485)



USB I/F



CF card I/F



Expansion port

14cm (5.7 inch) **XP30-TTE/BTE**



XP30-TTE TFT color / 256 colors
QVGA (320×240)

XP30-BTE STN MONO Economy (8-bit Gray)
QVGA (320×240)

External Interface



USB I/F



Serial I/F(RS-232C)



Serial I/F(RS422/485)

Multi-Language

XP series can display many languages which are supported on Microsoft Windows. Real-time conversion of four languages is available during run.



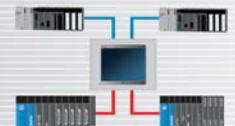
Specialization

XP series strengthens advanced features such as Logging, Recipe, Alarm, Script, and Scheduler. It helps users for the liberal and practical use.



Network

XP series enables users to implement data communication with several controllers at one time. The maximum 4 PLCs are connectable to a XP machine.



XGT Panel XP Series Feature

Data processing

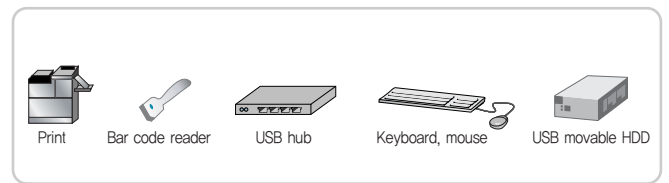
Faster transmission of mass storage data

- XP series' transmission speed is improved with the Ethernet interface. It is faster(10/100Mbps) than RS-232C interface (115Kbps).
- XP series includes a 10 MB memory, so it can offer advanced features such as upload/download drawing data, Logging, Alarm, and Recipe.
- XP series supports GIF, WMF file type as well as BMP, JPG, which makes it easier to draw.



Easy accessible USB host

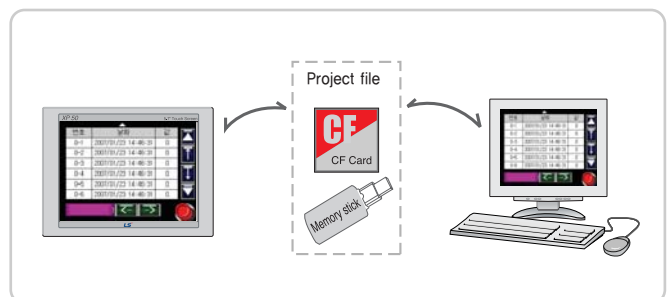
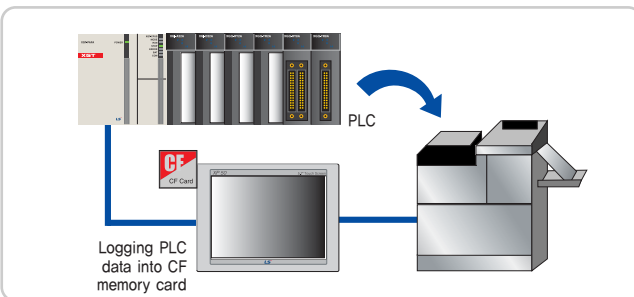
- 2 channels of USB interfaces are installed as a host.
- XP series is compatible to a variety of devices through the USB interface.



CF memory card and USB memory

- You can save the PLC data to a CF memory card or a USB memory.
- It can be converted into CSV file type.

- Analog touch panel eliminates scale marks to improve the resolution as compared to the matrix touch panel. It adopts an analog resistive touch panel for the better visibility and the free disposition of objects.
- It helps free locating of the objects.

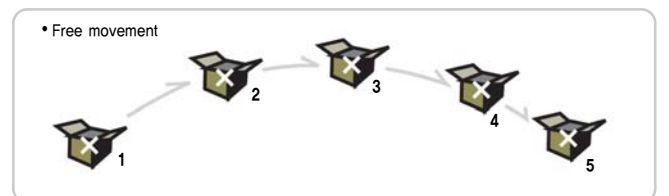


Multi-language support

- It offers a real-time conversion of four languages and various choices of language for designers.
- You can switch the languages which you want to use during the operation with the pre-recorded string table.
- It offers the MS Windows-supported languages such as Chinese(prc), Chinese(Taiwan), Danish, German, English, Finnish, French, Greek, Italian, Korean, Norwegian, Polish, Portuguese, Russian, Swedish, Spanish, Hungarian, etc.



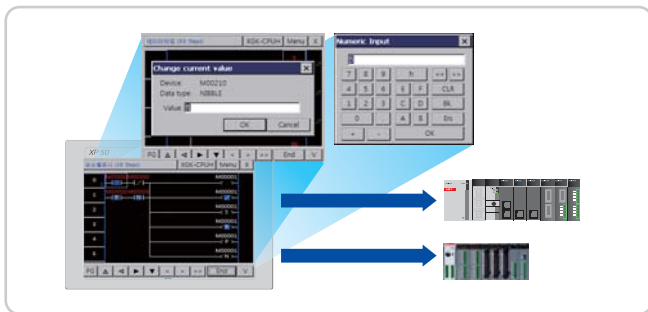
- It displays components of fixed values or word devices on the screen. Preset- component images can be used
- It provides a free movement with a user-defined path, a linear movement, and a device movement on the X-Y coordinates.



Display

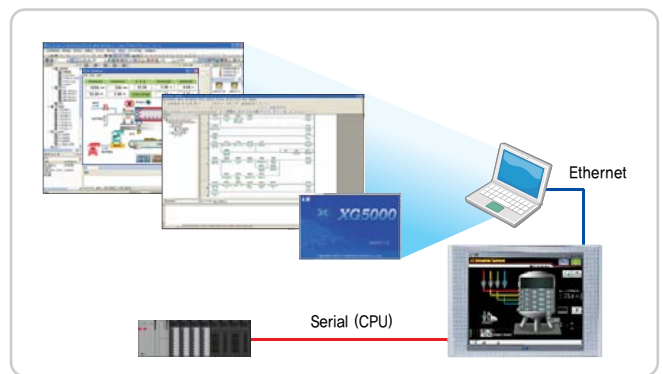
Diagnostic via program monitoring

- ☞ XP series' program monitoring function offers easy diagnostic without additional option to monitor PLC which is connected to HMI.
- ☞ The ladder program can be saved in CF card or USB memory.
- ☞ It offers several functions such as device search, subroutine search, label search and step search.



Path-through

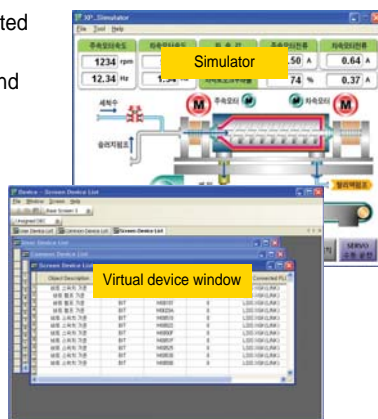
- ☞ When XGT Panel is connected to PLC via CPU port, monitoring and modification of PLC program can be done using Ethernet.
- ☞ The remote debugging can be executed.



Useful simulator function

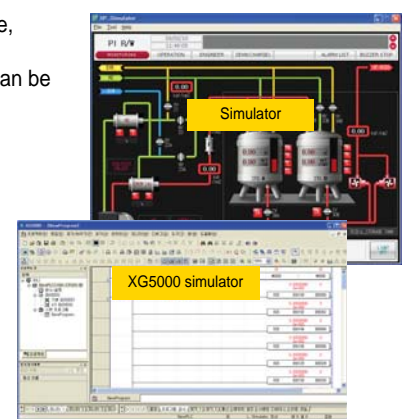
Offline simulation

- ☞ Operation can be executed without hardware.
- ☞ It supports monitoring and manipulation of device.
- ☞ Program error can be checked before sending to XGT Panel.



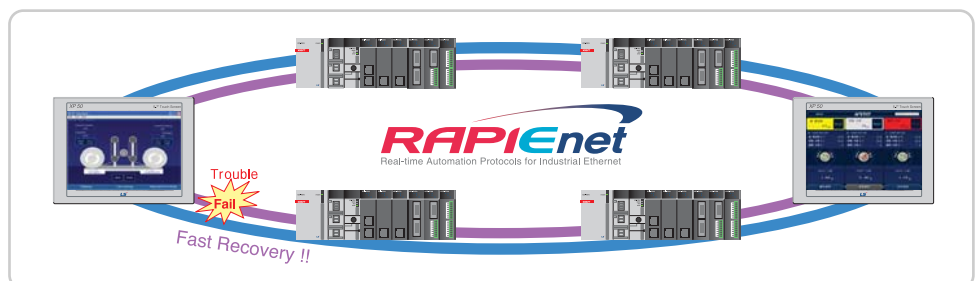
Interworking with PLC simulator

- ☞ When LS PLC software, XG5000, is executed, XGT Panel simulator can be operated with XG5000 together.



RAPiEnet optic ring (XPO-EIMT)

- ☞ XPO-EIMT communication option card enables high speed communication via RAPiEnet.
- ☞ It supports daisy chain and ring structure (Dual port).
- ☞ RAPiEnet is more reliable and convenient communication methods compared to START communication.



Project Printing

Prompt display

Advanced

Alarm

History alarm

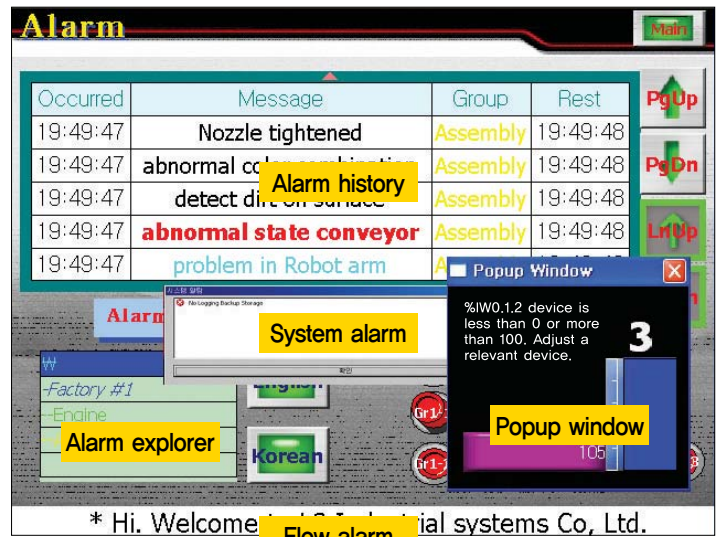
It saves alarmed contents into a history file. You can classify the alarms in detail into the maximum 8 upper and lower class groups or alarm lists. Through the alarm explorer, you can choose some alarms to display. If you register a detailed screen to verify the alarms in detail, you can create a window which is connected to the alarms.

Flow alarm

It displays a current alarm on the lower position of the screen for the rapid response to users. Flowing alarm can be configured to use only with a specific condition. You can apply it to transmit company or device information.

System alarm

If a serious fault or a trouble of the HMI occurs, the system alarm informs users.



Easy management with backup files

Advanced

Logging

It offers a cyclic logging operating repeatedly according to the time and a device status, and a conditional logging which works under the condition of the device.

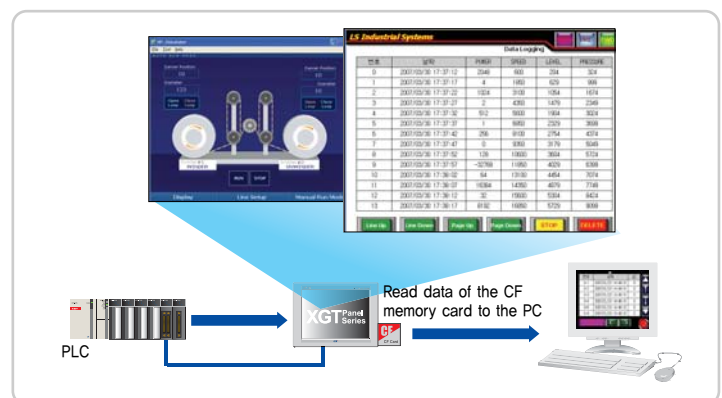
The max. number of 32 logging areas (condition) are available and each size of the area can be expanded up to 256Kbyte.

It is capable of saving the maximum 32 Words (cf. 32 bits for the bit logging) by one logging.

Logging is basically saved on the internal SRAM (256Kbyte), and you can run a backup to a CF memory, a USB memory and a movable HDD, etc.

You can verify the logging data on the XGT Panel through the logging view object.

Converted CSV types can be edited on Microsoft Excel.



Email service of alarm and logging data

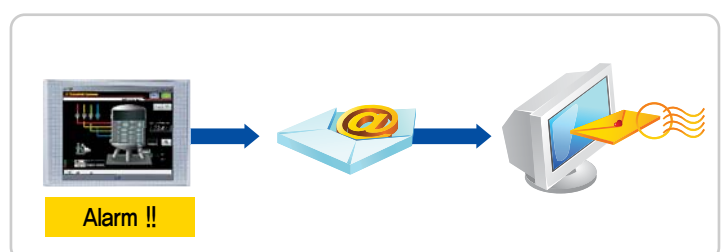
Advanced

XGT Panel offers the function of e-mail service to the registered address as a CSV file.

It can send Logging data with the selected logging group.

E-mail service includes the function of sending e-mails / notifications to the users when user-defined alert cases occur

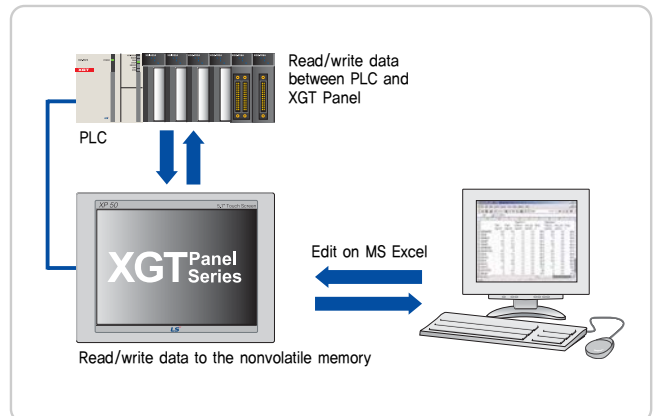
The logging and alarm file sent to PC can be open with EXCEL.



Recipe

Advanced

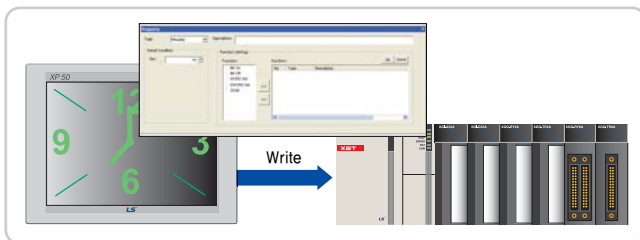
- Recipes provide an easy method for operators and users to change the value of hundreds of settings in automation devices. Backup memory is installed, it makes it possible to use the recipe function to transfer setting values to other equipment. It is able to register up to 32 recipes at the XP-Builder. The maximum 100 Word/Dword devices and 16 data blocks are able to assign in each recipe. Recipe data is saved in the nonvolatile memory of the XP series. It maintains the latest data when the power is shut off. You can register and edit the recipe data through the XGT Panel or Microsoft Excel.



Scheduler

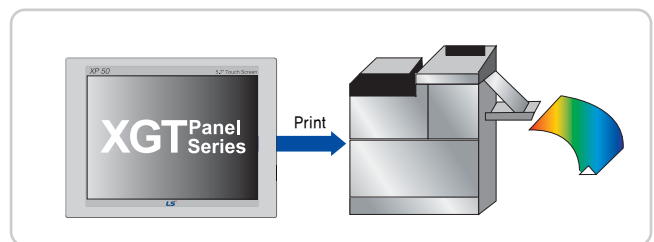
Advanced

- Scheduler appoints operations and times to do the operation on the specified time. Bit On/Off, setting a Word value, and a script operation are available. Each scheduler can assign operations up to 8. Schedulers can be produced up to 32.



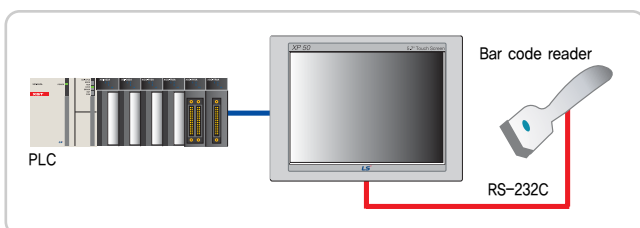
Print

- You can print a screen or a history of alarm events from the HMI. It is available to connect to a printer with a USB port.



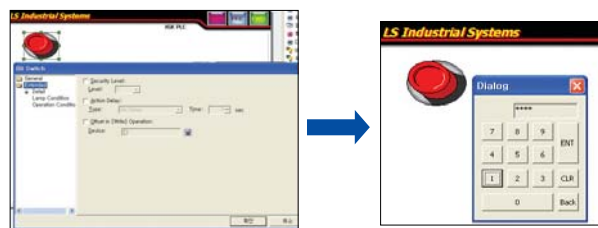
Bar code scan

- ASCII data which is inputted by a bar code scanner can be saved into a user-defined PLC or an internal memory of the XGT Panel. User can set a completion bit to verify whether the XGT Panel read correct data. The bar code communication operates only with a built-in RS-232C interface of the XGT Panel.



Security

- When you operate the PLC control with Objects such as switches, input and output objects, you can prescribe the security level to the authorized users only. Total 10 security levels are supported, and a low level password can access to a higher level. After an approval of the security level, the session is only maintained during a period of time.



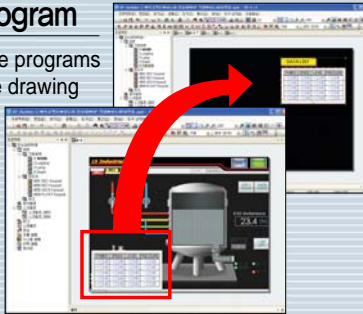
XGT Panel XP Series Software

Development Tool : XP-Builder

XP-Builder Functions

Multi-thread program

- You can run multiple programs at one time and use drawing data from another program.



Debugging program

- You can verify some errors which happens to the data at the output window.
- Display details of the errors.



Cross reference

- Display devices and tags which are in use.

Object Address	Tag Name	Position	Object Type	Description
HP0000.0	Project-Proj		State Variable	State Variable
HP0000.1	Project-Proj		Global String	Global String
HP0000.2	AM00000		Animation Pt.	Animation Pt.
HP0000.3	L2001A		St Lamp	St Lamp
HP0000.4	L2001B		St Lamp	St Lamp
HP0000.5	L2001C		St Lamp	St Lamp
HP0000.6	L2001D		St Lamp	St Lamp
HP0000.7	L2001E		St Lamp	St Lamp
HP0000.8	L2001F		St Lamp	St Lamp
HP0000.9	L2001G		St Lamp	St Lamp
HP0000.10	L2001H		St Lamp	St Lamp
HP0000.11	L2001I		St Lamp	St Lamp
HP0000.12	L2001J		St Lamp	St Lamp
HP0000.13	L2001K		St Lamp	St Lamp
HP0000.14	L2001L		St Lamp	St Lamp
HP0000.15	L2001M		St Lamp	St Lamp
HP0000.16	L2001N		St Lamp	St Lamp
HP0000.17	L2001O		St Lamp	St Lamp
HP0000.18	L2001P		St Lamp	St Lamp
HP0000.19	L2001Q		St Lamp	St Lamp
HP0000.20	L2001R		St Lamp	St Lamp
HP0000.21	L2001S		St Lamp	St Lamp
HP0000.22	L2001T		St Lamp	St Lamp
HP0000.23	L2001U		St Lamp	St Lamp
HP0000.24	L2001V		St Lamp	St Lamp
HP0000.25	L2001W		St Lamp	St Lamp
HP0000.26	L2001X		St Lamp	St Lamp
HP0000.27	L2001Y		St Lamp	St Lamp
HP0000.28	L2001Z		St Lamp	St Lamp
HP0000.29	L2001AA		St Lamp	St Lamp
HP0000.30	L2001AB		St Lamp	St Lamp
HP0000.31	L2001AC		St Lamp	St Lamp
HP0000.32	L2001AD		St Lamp	St Lamp
HP0000.33	L2001AE		St Lamp	St Lamp
HP0000.34	L2001AF		St Lamp	St Lamp
HP0000.35	L2001AG		St Lamp	St Lamp
HP0000.36	L2001AH		St Lamp	St Lamp
HP0000.37	L2001AI		St Lamp	St Lamp
HP0000.38	L2001AJ		St Lamp	St Lamp
HP0000.39	L2001AK		St Lamp	St Lamp
HP0000.40	L2001AL		St Lamp	St Lamp
HP0000.41	L2001AM		St Lamp	St Lamp
HP0000.42	L2001AN		St Lamp	St Lamp
HP0000.43	L2001AO		St Lamp	St Lamp
HP0000.44	L2001AP		St Lamp	St Lamp
HP0000.45	L2001AQ		St Lamp	St Lamp
HP0000.46	L2001AR		St Lamp	St Lamp
HP0000.47	L2001AS		St Lamp	St Lamp
HP0000.48	L2001AT		St Lamp	St Lamp
HP0000.49	L2001AU		St Lamp	St Lamp
HP0000.50	L2001AV		St Lamp	St Lamp
HP0000.51	L2001AW		St Lamp	St Lamp
HP0000.52	L2001AX		St Lamp	St Lamp
HP0000.53	L2001AY		St Lamp	St Lamp
HP0000.54	L2001AZ		St Lamp	St Lamp
HP0000.55	L2001BA		St Lamp	St Lamp
HP0000.56	L2001BB		St Lamp	St Lamp
HP0000.57	L2001BC		St Lamp	St Lamp
HP0000.58	L2001BD		St Lamp	St Lamp
HP0000.59	L2001BE		St Lamp	St Lamp
HP0000.60	L2001BF		St Lamp	St Lamp
HP0000.61	L2001BG		St Lamp	St Lamp
HP0000.62	L2001BH		St Lamp	St Lamp
HP0000.63	L2001BI		St Lamp	St Lamp
HP0000.64	L2001BJ		St Lamp	St Lamp
HP0000.65	L2001BK		St Lamp	St Lamp
HP0000.66	L2001BL		St Lamp	St Lamp
HP0000.67	L2001BM		St Lamp	St Lamp
HP0000.68	L2001BN		St Lamp	St Lamp
HP0000.69	L2001BO		St Lamp	St Lamp
HP0000.70	L2001BP		St Lamp	St Lamp
HP0000.71	L2001BQ		St Lamp	St Lamp
HP0000.72	L2001BR		St Lamp	St Lamp
HP0000.73	L2001BS		St Lamp	St Lamp
HP0000.74	L2001BT		St Lamp	St Lamp
HP0000.75	L2001BU		St Lamp	St Lamp
HP0000.76	L2001BV		St Lamp	St Lamp
HP0000.77	L2001BW		St Lamp	St Lamp
HP0000.78	L2001BX		St Lamp	St Lamp
HP0000.79	L2001BY		St Lamp	St Lamp
HP0000.80	L2001BZ		St Lamp	St Lamp
HP0000.81	L2001CA		St Lamp	St Lamp
HP0000.82	L2001CB		St Lamp	St Lamp
HP0000.83	L2001CC		St Lamp	St Lamp
HP0000.84	L2001CD		St Lamp	St Lamp
HP0000.85	L2001CE		St Lamp	St Lamp
HP0000.86	L2001CF		St Lamp	St Lamp
HP0000.87	L2001CG		St Lamp	St Lamp
HP0000.88	L2001CH		St Lamp	St Lamp
HP0000.89	L2001CI		St Lamp	St Lamp
HP0000.90	L2001CJ		St Lamp	St Lamp
HP0000.91	L2001CK		St Lamp	St Lamp
HP0000.92	L2001CL		St Lamp	St Lamp
HP0000.93	L2001CM		St Lamp	St Lamp
HP0000.94	L2001CN		St Lamp	St Lamp
HP0000.95	L2001CO		St Lamp	St Lamp
HP0000.96	L2001CP		St Lamp	St Lamp
HP0000.97	L2001CQ		St Lamp	St Lamp
HP0000.98	L2001CR		St Lamp	St Lamp
HP0000.99	L2001CS		St Lamp	St Lamp
HP0000.100	L2001CT		St Lamp	St Lamp

Edit program : XP-Builder

Project

- Add and edit screens and special functions of the project.

Data view

- Display the objects which is used on a current screen.
- Show the property window by double click.

Output bar

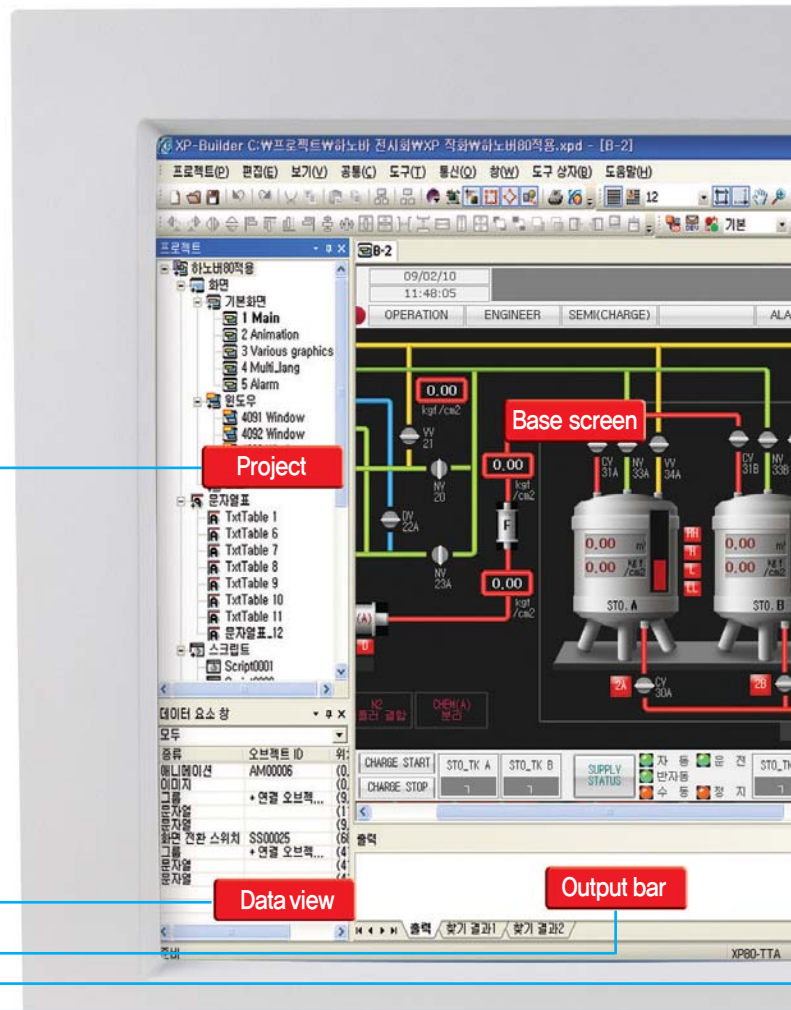
- Output errors about the data and display search results.
- Display details of errors.

Toolbox

- Draw objects and diagrams.

Library

- Categorized libraries are displayed and the preview is supported.
- Easy register and deletion of the user library.
- Drag & Drop operation.



Tag

- ☑ User can rename a device address to use it as an object.
- ☑ If you assign a tag to the set up device of an object, you can change the addresses of devices at a time.
- ☑ It is available to register up to 10,000.

번호	이름	타입	주소	비고
SourceA	BIT	HW0001F		
SourceB	BIT	HW0001F		
SourceA_V1	BIT	HW0001E		
SourceA_V2	BIT	HW0001E		
SourceA_V3	BIT	HW0001E		
SourceB_V1	BIT	HW0001E		
SourceB_V2	BIT	HW0001E		
SourceB_V3	BIT	HW0001E		

Simulation

Off-line program simulation

- ☑ You can confirm the drawing data on a PC without a XGT Panel.
- ☑ Device monitoring and operation can be checked on a PC.
- ☑ The simulator supports same operations as a XGT Panel.
- ☑ Data errors and normal operations could be checked before XP-Builder transmits the drawing data to the HMI.

Arial : ABCDEFGHIJKLMNOPQRSTUVWXYZ
 Book : ABCDEFGHIJKLMNOPQRSTUVWXYZ
 Impact : ABCDEFGHIJKLMNOPQRSTUVWXYZ
 Helvetica : ABCDEFGHIJKLMNOPQRSTUVWXYZ
 Tahoma : ABCDEFGHIJKLMNOPQRSTUVWXYZ
 Time : ABCDEFGHIJKLMNOPQRSTUVWXYZ
 Verdana : ABCDEFGHIJKLMNOPQRSTUVWXYZ

가나다라마바사아자차카타파하
 가나다라마바사아자차카타파하
 가나다라마바사아자차카타파하
 가나다라마바사아자차카타파하

GIF animation

- ☑ You can use GIF animation to take effects according to the state of specified bit. You can make and add a movie clip of the actual spot to inform users accurately. (A movie clip file can be produced using a commercial GIF animator program.)



Script

Flexible script language

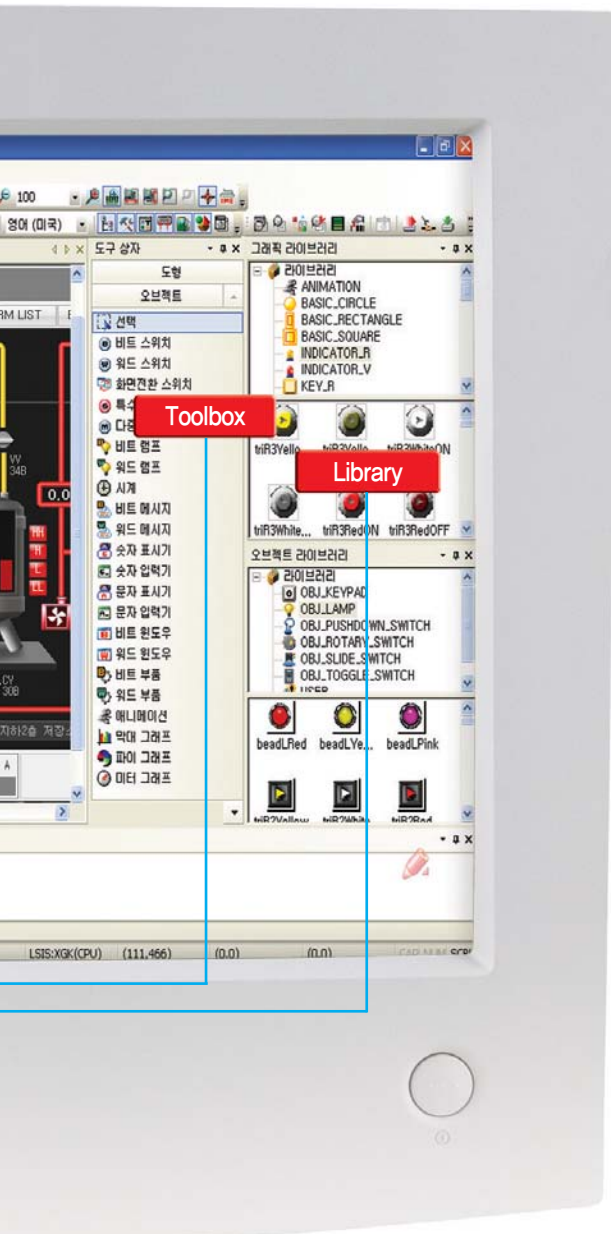
- ☑ Script language can supplement the offered object function to draw the data.
- ☑ Script language is a structured language such as C programming language for the convenience of users.
- ☑ Script language with complex arithmetic operations and various functions can reduce a load of external controllers.
- ☑ Grammar inspection can validate the script languages.

Various script use

- ☑ XP-Builder has various script usages such as global script, object script, etc.
- ☑ Global script operates with On/Off signal of an assigned device. It is able to run a script operation by periods using a special device.
- ☑ The object script is available to do a target device operation of the object.
- ☑ Script can be operated at the moment when a screen is opened(or closed).

Useful script toolbox and error inspection.

Easy edit

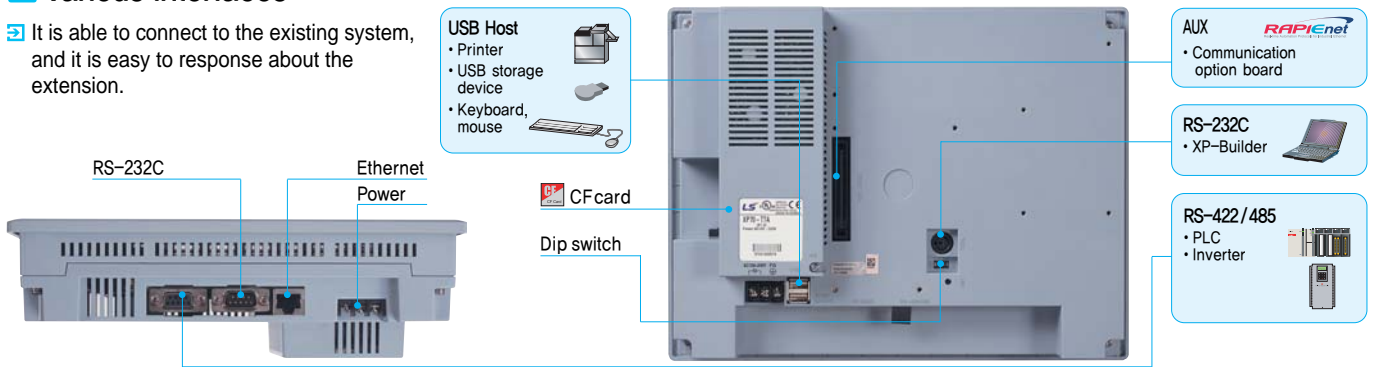


Interface and system organization

XGT Panel provides reliable quality and responsible technology

Various interfaces

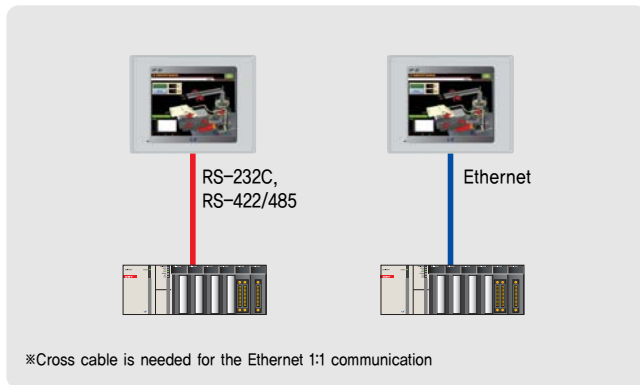
It is able to connect to the existing system, and it is easy to response about the extension.



System organization

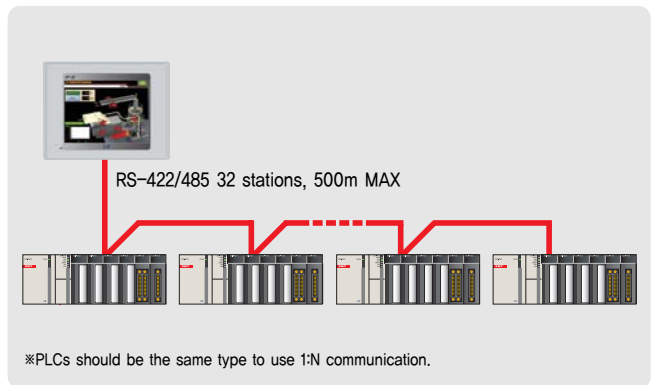
1 : 1 Serial / Ethernet communication

One PLC to one XGT Panel



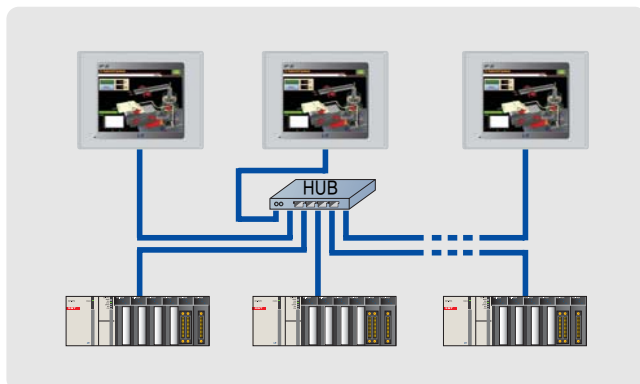
1 : N Serial communication

Multiple PLCs to one XGT Panel



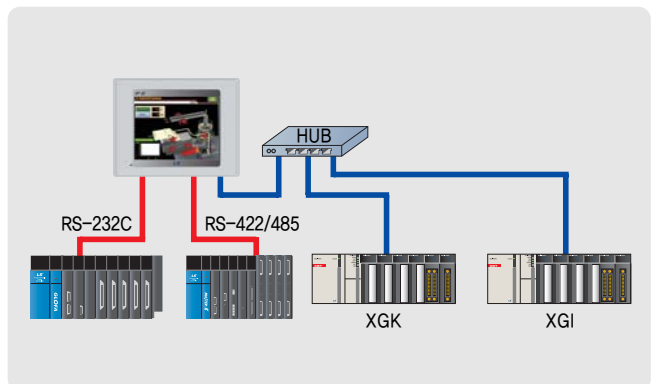
N : M (Ethernet communication)

Multiple PLCs to multiple XGT Panels



Simultaneous communication with 4 controllers

4 kinds of PLCs to one XGT Panel

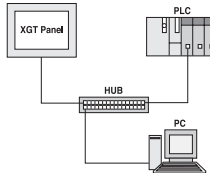
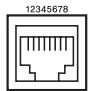
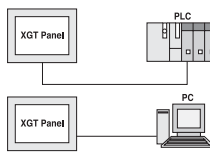


Cable

The technology began to offer better operating environment

Cable standards and wiring method


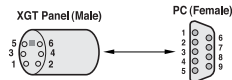
Ethernet cable standards and wiring

Item	Description																																							
Cable standard	<ul style="list-style-type: none"> Type: UTP / FTP / STP cable Standard: CAT.5 / Enhanced CAT.5 / CAT.6 																																							
Direct cable	Communicate with a PC or a PLC/Controller through a hub. 																																							
	<table border="1" style="display: inline-table; margin-right: 20px;"> <tr><td>1</td><td>wh/or</td><td>←</td><td>wh/or</td><td>1</td></tr> <tr><td>2</td><td>or</td><td>←</td><td>or</td><td>2</td></tr> <tr><td>3</td><td>wh/grn</td><td>←</td><td>wh/grn</td><td>3</td></tr> <tr><td>4</td><td>blu</td><td>←</td><td>blu</td><td>4</td></tr> <tr><td>5</td><td>wh/blu</td><td>←</td><td>wh/blu</td><td>5</td></tr> <tr><td>6</td><td>grn</td><td>←</td><td>grn</td><td>6</td></tr> <tr><td>7</td><td>wh/brn</td><td>←</td><td>wh/brn</td><td>7</td></tr> <tr><td>8</td><td>brn</td><td>←</td><td>brn</td><td>8</td></tr> </table>  Ethernet Jack	1	wh/or	←	wh/or	1	2	or	←	or	2	3	wh/grn	←	wh/grn	3	4	blu	←	blu	4	5	wh/blu	←	wh/blu	5	6	grn	←	grn	6	7	wh/brn	←	wh/brn	7	8	brn	←	brn
1	wh/or	←	wh/or	1																																				
2	or	←	or	2																																				
3	wh/grn	←	wh/grn	3																																				
4	blu	←	blu	4																																				
5	wh/blu	←	wh/blu	5																																				
6	grn	←	grn	6																																				
7	wh/brn	←	wh/brn	7																																				
8	brn	←	brn	8																																				
Cross cable	Connect with a PC or a PLC/Controller directly (1:1 connection). 																																							
	<table border="1" style="display: inline-table; margin-right: 20px;"> <tr><td>1</td><td>wh/or</td><td>←</td><td>wh/grn</td><td>1</td></tr> <tr><td>2</td><td>or</td><td>←</td><td>grn</td><td>2</td></tr> <tr><td>3</td><td>wh/grn</td><td>←</td><td>wh/or</td><td>3</td></tr> <tr><td>4</td><td>blu</td><td>←</td><td>blu</td><td>4</td></tr> <tr><td>5</td><td>wh/blu</td><td>←</td><td>wh/blu</td><td>5</td></tr> <tr><td>6</td><td>grn</td><td>←</td><td>or</td><td>6</td></tr> <tr><td>7</td><td>wh/brn</td><td>←</td><td>wh/brn</td><td>7</td></tr> <tr><td>8</td><td>brn</td><td>←</td><td>brn</td><td>8</td></tr> </table>	1	wh/or	←	wh/grn	1	2	or	←	grn	2	3	wh/grn	←	wh/or	3	4	blu	←	blu	4	5	wh/blu	←	wh/blu	5	6	grn	←	or	6	7	wh/brn	←	wh/brn	7	8	brn	←	brn
1	wh/or	←	wh/grn	1																																				
2	or	←	grn	2																																				
3	wh/grn	←	wh/or	3																																				
4	blu	←	blu	4																																				
5	wh/blu	←	wh/blu	5																																				
6	grn	←	or	6																																				
7	wh/brn	←	wh/brn	7																																				
8	brn	←	brn	8																																				


NOTE

- Ethernet setting**
 - Ethernet setting is on the XGT Panel.
 - Communication parameters with a PLC/controller are set up on the XP-Builder.
- 1:1 connection**
 - Under the conditions that is impossible to use a LAN, a one-to-one connection with a cross cable is suited to send/receive a project data.
- Making a cable**
 - If a Lock part of the Ethernet jack is damaged, it cannot be fixed to a RJ45 connector (Ethernet connector). It occurs a contact badness.
 - A Plug Cover is recommended.


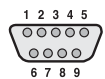
Tool cable standards and wiring

Item	Description																													
Cable standard	<ul style="list-style-type: none"> Name: PMC-310S (Download cable) Length: A soft tube type 1m 																													
Structure and wiring	Direct connection to a PC 																													
	<table border="1" style="display: inline-table; margin-right: 20px;"> <tr><td>1</td><td></td></tr> <tr><td>2</td><td>RD</td></tr> <tr><td>3</td><td>SG</td></tr> <tr><td>4</td><td></td></tr> <tr><td>5</td><td></td></tr> <tr><td>6</td><td>SD</td></tr> </table> <table border="1" style="display: inline-table; margin-right: 20px;"> <tr><td>CD</td><td>1</td></tr> <tr><td>RD</td><td>2</td></tr> <tr><td>SD</td><td>3</td></tr> <tr><td></td><td>4</td></tr> <tr><td>SG</td><td>5</td></tr> <tr><td>DSR</td><td>6</td></tr> <tr><td>RTS</td><td>7</td></tr> <tr><td>CTS</td><td>8</td></tr> <tr><td></td><td>9</td></tr> </table>  XGT Panel (Male) PC (Female)	1		2	RD	3	SG	4		5		6	SD	CD	1	RD	2	SD	3		4	SG	5	DSR	6	RTS	7	CTS	8	
1																														
2	RD																													
3	SG																													
4																														
5																														
6	SD																													
CD	1																													
RD	2																													
SD	3																													
	4																													
SG	5																													
DSR	6																													
RTS	7																													
CTS	8																													
	9																													

XP30-BTE connector pin assignment

Item	Description																		
Wiring	<table border="1" style="display: inline-table; margin-right: 20px;"> <tr><td>1</td><td>TX</td><td>2</td><td>RX</td><td>3</td><td>SG</td><td>4</td><td>TX+</td><td>5</td><td>TX-</td><td>6</td><td>RX+</td><td>7</td><td>RX-</td><td>8</td><td>SG</td><td>9</td><td>FG</td></tr> </table>	1	TX	2	RX	3	SG	4	TX+	5	TX-	6	RX+	7	RX-	8	SG	9	FG
	1	TX	2	RX	3	SG	4	TX+	5	TX-	6	RX+	7	RX-	8	SG	9	FG	
																			

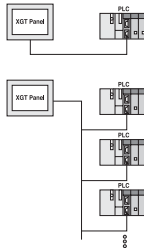
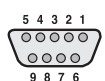
RS-232C cable standards and wiring

Item	Description																	
Cable standard	<ul style="list-style-type: none"> (UL) Style 2464 AWG24 cable is recommended. Max cable length is 15m. Shielded cables are recommended. 																	
Structure and wiring	Connect to PLC or Controller (1:1). 																	
	<ul style="list-style-type: none"> Connector pin of the XGT Panel D-Sub 9P, Male connector <table border="1" style="display: inline-table; margin-right: 20px;"> <tr><td>1</td><td></td></tr> <tr><td>2</td><td>RD</td></tr> <tr><td>3</td><td>SD</td></tr> <tr><td>4</td><td></td></tr> <tr><td>5</td><td>SG</td></tr> <tr><td>6</td><td></td></tr> <tr><td>7</td><td></td></tr> <tr><td>8</td><td></td></tr> <tr><td>9</td><td></td></tr> </table> 	1		2	RD	3	SD	4		5	SG	6		7		8		9
1																		
2	RD																	
3	SD																	
4																		
5	SG																	
6																		
7																		
8																		
9																		

NOTE

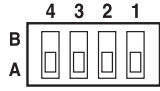
- Communication setting**
 - Communication parameters with a PLC/controller are set up on the XP-Builder.
 - Refer to the communication user manual about the communication wiring with a PLC/controller.
 - XGT Panel does not support a flow control.
- Making a cable**
 - Under the conditions that is impossible to use a LAN, a one-to-one connection with a cross cable is suited to send / receive a project data.
 - Make a cable meet PLC / controller's standard requirements.

RS-422/485 cable standards and wiring

Item	Description																	
Cable standard	<ul style="list-style-type: none"> (UL) Style 2464 AWG22 cable is recommended. Max cable length is 500m. Shielded cables are recommended. 																	
Structure and wiring	Connect to PLC or Controller (1:1). 																	
	<ul style="list-style-type: none"> Connector pin of the XGT Panel D-Sub 9P, Female connector <table border="1" style="display: inline-table; margin-right: 20px;"> <tr><td>1</td><td></td></tr> <tr><td>2</td><td></td></tr> <tr><td>3</td><td>SG</td></tr> <tr><td>4</td><td>TX+</td></tr> <tr><td>5</td><td>TX-</td></tr> <tr><td>6</td><td>SG</td></tr> <tr><td>7</td><td></td></tr> <tr><td>8</td><td>RX+</td></tr> <tr><td>9</td><td>RX-</td></tr> </table> 	1		2		3	SG	4	TX+	5	TX-	6	SG	7		8	RX+	9
1																		
2																		
3	SG																	
4	TX+																	
5	TX-																	
6	SG																	
7																		
8	RX+																	
9	RX-																	

NOTE

- Communication setting**
 - Communication parameters with a PLC/controller are set up on the XP-Builder.
 - Refer to the communication user manual about the communication wiring with a PLC/controller.
 - Set up a terminal resistance using a dip switch.
- Making a cable**
 - A cable should be produced as a male type because the XGT Panel's connector is a female type.
 - Connect the 4th(TX+) to the 8th(RX+) and the 5th(TX-) to the 9th(RX-) to make a RS-485 cable.

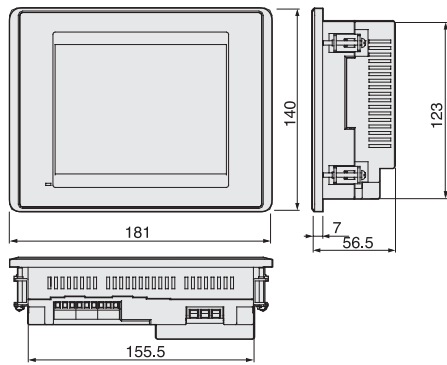
DIP switch		Description of the switch	
	1	No use	
	2	A	Normal operation (Default)
		B	Update Windows CE
	3	A	Watchdog On (Default)
		B	Watchdog Off
	4	A	RS-422/485 terminal resistance (120Ω)
		B	No RS-422/485 terminal resistance

XGT Panel XP Series Specification

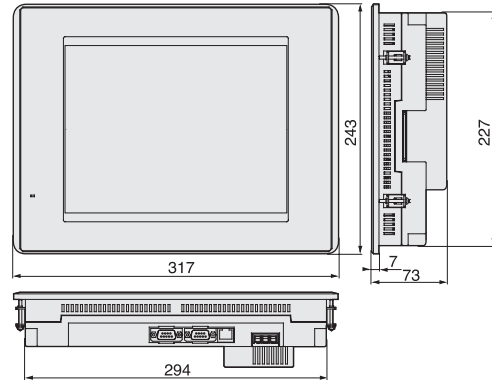
Dimension

Unit : mm

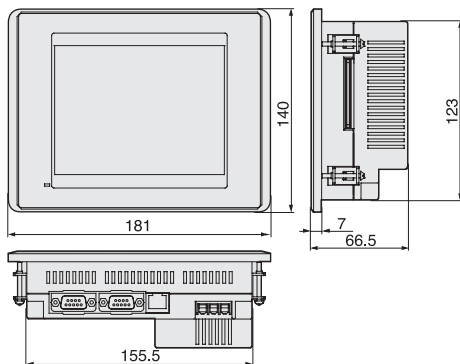
XP30-BTE / TTE



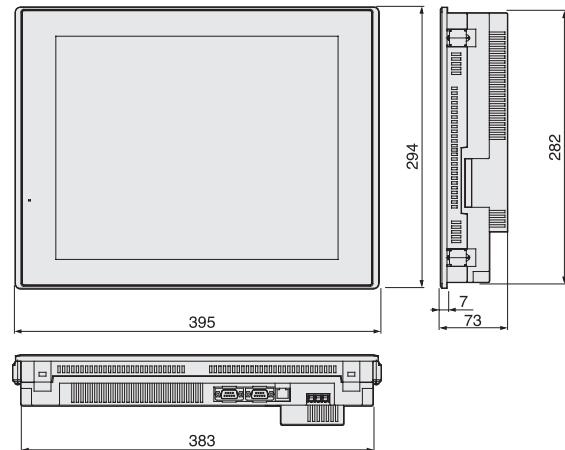
XP70-TTA / XP80-TTA



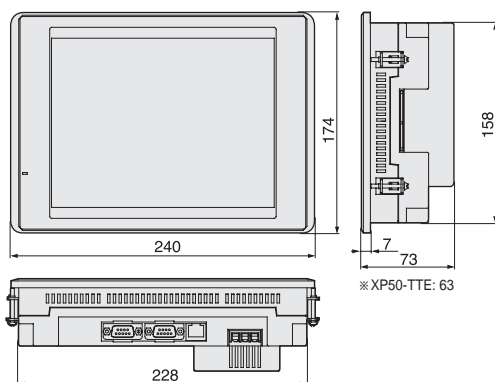
XP30-BTA / TTA



XP90-TTA



XP50-TTA / TTE



EXTENSION TOTAL SOLUTION TRANSMISSION

General information

No.	Item	Description	Standard		
1	Ambient temperature	0°C~+50°C			
2	Storage temperature	-20°C~+60°C			
3	Ambient humidity	10~85% RH, without dew condensation			
4	Storage humidity	10~85% RH, without dew condensation			
5	Vibration resistance	Occasional vibration		10 times each direction (X, Y, and Z)	IEC 61131-2
		Frequency	Amplitude		
		5 ≤ f < 9Hz	3.5mm		
		9 ≤ f ≤ 150Hz	9.8%		
		Continuous vibration			
		Frequency	Amplitude		
5 ≤ f < 9Hz	1.75mm				
9 ≤ f ≤ 150Hz	4.9%				
6	Shock resistance	* Maximum shock acceleration: 147% (15g) * Authorization time: 11ms * Pulse waveform: Half-sine wave (3 times each of X, Y, and Z)	IEC 61131-2		
7	Noise resistance	Square wave impulse noise	AC : ±1,500V DC : ±1,000V	LSIS Standards	
		Electrostatic discharge	Voltage : 6kV (Contact discharge)	IEC 61131-2, IEC 61000-4-2	
		Radiated electromagnetic field noise	27 ~ 500MHz, 10V/m	IEC 61131-2, IEC 61000-4-3	
		Fast transient / Burst noise	Power module / Digital IO, Analog IO, Communication interface	2kV / 1kV	IEC 61131-2, IEC 61000-4-4
8	Operating ambience	Free from corrosive gases and excessive dust			
9	Altitude	Up to 2,000m(6,562ft)			
10	Pollution degree	Less than equal to 2			
11	Cooling method	Air-cooling			

Specification

Item	XP30-BTE/DC	XP30-BTA/DC	XP30-TTE/DC	XP30-TTA/DC	XP50-TTE/DC	XP50-TTA/DC	XP70-TTA/AC XP70-TTA/DC	XP80-TTA/AC XP80-TTA/DC	XP90-TTA/AC		
	Mono			Color							
Display description	Mono Blue LCD			TFT Color LCD							
Display Size (inch)	14cm (5.7")			21cm (8.4")		26cm (10.4")	31cm (12.1")	38cm (15")			
Resolution	320×240			640×480		800×600	1024×768				
Color	8-bit Gray Scale		256 Color	65,536 Color	256 Color	65,536 Color					
Backlight	LED			CCFL (whole LCD), auto On/ Off		CCFL(Replaceable, LCD) auto on/off					
	50,000Hours			60,000Hours		50,000Hours					
Contrast	Adjustable			Fixed							
Luminance	230cd/m ²		210cd/m ²	400cd/m ²	200cd/m ²	480cd/m ²	430cd/m ²	400cd/m ²	450cd/m ²		
Viewing angle	Up/Down(Degree)		20/40	80/80	70/50	20/20	50/60	45/65	45/75	50/60	
	Left/Right(Degree)		45/45	80/80	70/70	45/45	65/65	65/65	65/65	75/75	
Touch panel	4-Wire System Analog				8-Wire System Analog						
movement LED	Green : Run (Monitoring, download drawing data) Red : Error (Communication error, drawing data error)										
Memory	Display data		4MB	10MB	4MB	10MB	4MB	10MB	20MB		
	Backup data		128KB	512KB	128KB	512KB (logging, alarm, data saving)	128KB	512KB (logging, alarm, data saving)			
Ethernet	-		1ch, IEEE802.3, 10/100Base-T	-	1ch, IEEE802.3, 10/100Base-T	-	1ch, IEEE802.3, 10/100Base-T				
USB Interface	USB Host X 1	USB Host X 2	USB Host X 1	USB Host X 2	USB Host X 1	USB Host X 2					
Serial	RS-232C										
	RS-422/485										
CF memory card interface	-		CFcard (TYPE-I) X 1	-	CFcard (TYPE-I) X 1	-	CFcard (TYPE-I) X 1				
AUX interface	-		optional	-	optional	-	optional				
Certification	CE, UL, KCC										
Protection	IP65F (Front Water Proof Structure)										
Size (W×H×D)mm	181 x 140 x 56.5	181 x 140 x 66.5	181 x 140 x 56.5	181 x 140 x 66.5	240 x 174 x 63	240 x 174 x 73	317 x 243 x 73		395 x 294 x 73		
Panel Cut (W×H)mm	155.5 x 123			228 x 158		294 x 227		383 x 282			
Weight (kg)	0.62	0.75	0.62	0.75	1.2	1.4	2.2	2.4	3.9		
Power	Rated voltage		DC 24V				AC100~220V, DC 24V		AC100~220V		
	Permitted voltage	AC	-						MIN 85 VAC, MAX 264 VAC		
		DC	MIN 19.2 VDC, MAX 28.8 VDC						-		
	Watt (W)	AC	-						37	40	46
DC		5	8.5	5	8.5	13	20	27	30	-	

Controller with connectivity

Maker	LS Industrial System				MODCON	Mitsubishi			OMRON		OEMax	ROCKWELL	KDT	DasaRobot	Matsushita	SIEMENS	PARKER	BYD AUTO	PROFACE	LS MECAPON	YASKAWA		
Model	GLFA-GM MASTER-K series	XGR/XGK/XGI/XGB series	LSBUS [Drive]	MODBUS [Drive]	MODBUS	MELSEC Q	MELSEC AnN, AnS	MELSEC FX	CS/CJ Series	COMH	NX-CCU+	SLC500	Micro COMPACT/CONTROL LOGIX	CIMON	iM-SIGMA	FP Series	S7-200	S7-300	Hi-Drive	Dedicated controller	Memory Link	VS/VP Drive	MEM OBUS
CPU Port	●	●	-	-	-	● (Except Gnd)	-	●	-	-	-	● (DP1)	● (DP1)	-	-	-	● (PP1)	● (MP1)	-	-	-	-	●
Link	●	●	●	●	●	●	●	●	●	●	●	-	-	●	●	●	-	●	●	●	●	●	●
Link [1:N]	●	●	●	●	●	●	●	●	●	●	●	-	-	●	●	●	-	●	●	●	●	●	●
Ethernet	●	●	-	-	●	-	-	-	●	-	-	-	Ethernet/IP	-	-	-	-	-	-	-	-	-	-

Green Innovators of Innovation



Safety Instructions

- For your safety, please read user's manual thoroughly before operating.
- Contact the nearest authorized service facility for examination, repair, or adjustment.
- Please contact qualified service technician when you need maintenance. Do not disassemble or repair by yourself !
- Any maintenance and inspection shall be performed by the personnel having expertise concerned.

LSIS Co., Ltd.

©2008.01 LSIS Co., Ltd. All Rights Reserved.

■ HEAD OFFICE

LS Tower 1026-6, Hoggye-dong, Dongan-gu, Anyang-si,
Gyeonggi-do 431-848, Korea

• NORTH AMERICA/EUROPE/CIS

+82-2-2034-4676 sukyong@lisis.biz (Brian Choi)
+82-2-2034-4879 dkimc@lisis.biz (Daniel Kim)

• ASIA/LATIN AMERICA

+82-2-2034-4888 cshwang@lisis.biz (Charles Hwang)
+82-2-2034-4937 dshim@lisis.biz (Daniel Shim)

• MIDDLE EAST/AFRICA/TURKEY

+82-2-2034-4881 khchoi1@lisis.biz (Lambert Choi)

■ Global Network

• LSIS (ME) FZE » Dubai, U.A.E.

Address Jafza View Tower Lob 19, Room 205 Along Sheikh Zayed Road Jebel Aali Free Zone Dubai, United Arab Emirates,
Tel + 971-4-886-5360 Fax + 971-4-886-5361 E-mail jungyongl@lisis.biz

• LSIS (Dalian) Co., Ltd » Dalian, China

Address No. 15 Liaohexi 3-Road, Economic and Technical Development zone, Dalian 116600, China
Tel +86-411-8730-7510 Fax +86-411-8731-8277 E-mail cuibx@lisis.com.cn

• LSIS (Wuxi) Co., Ltd » Wuxi, China

Address 102-A, National High & New Tech Industrial Development Area, Wuxi, Jiangsu, 214028, P.R. China
Tel +86-510-8534-6666 Fax +86-510-8534-4078 E-mail caidx@lisis.com.cn

• LS-VINA IS Co., Ltd » Hanoi, Vietnam

Address Nguyen Khe Dong Anh, Hanoi
Tel +84-4-38820 222.3 Fax +84-4-38820 220 E-mail srjo@lisisvina.com, ylsuk@lisisvina.com

• LSIS Tokyo Office » Tokyo, Japan

Address 16FL, Higashi-Kan, Akasaka Twin Tower 2-17-22, Akasaka, Minato-ku Tokyo 107-0052, Japan
Tel +81-3-3582-9128 Fax +81-3-3582-2667 E-mail jschuna@lisis.biz

• LSIS Shanghai Office » Shanghai, China

Address Room E-G, 12FL Huamin Empire Plaza, No.726, West Yan'an Road Shanghai 200050, P.R. China
Tel +86-21-5237-9977(501) Fax +89-21-5237-7189 E-mail liyong@lisis.com.cn

• LSIS Beijing Office » Beijing, China

Address B-Tower 17FL, Beijing Global Trade Center, No. 36, East BeisanHuan-Road, DongCheng-District, Beijing 100013, P.R. China
Tel +86-10-5825-6027(666) Fax +86-10-5825-6028 E-mail xunmj@lisis.com.cn

• LSIS Guangzhou Office » Guangzhou, China

Address Room 1403, 14FL, New Poly Tower, 2 Zhongshan Liu Road, Guangzhou, P.R. China
Tel +86-20-8326-6754 Fax +86-20-8326-6287 E-mail chenxs@lisis.com.cn

• LSIS Chengdu Office » Chengdu, China

Address Room 1710, 17FL, Huamin Empire Plaza, No.1 Fu Xing Street, Chengdu, 610016, P.R. China
Tel +86-28-8670-3201 Fax +86-28-8670-3203 E-mail yangcf@lisis.com.cn

• LSIS Qingdao Office » Qingdao, China

Address Room 2001, YinHe Bldg, No. 29 Shandong Road, Qingdao, 266071, P.R. China
Tel +86-532-8501-6058 Fax +86-532-8501-6057 E-mail wangzy@lisis.com.cn

Specifications in this catalog are subject to change without notice due to continuous product development and improvement.