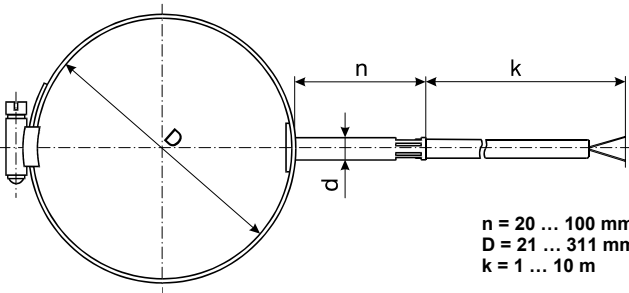
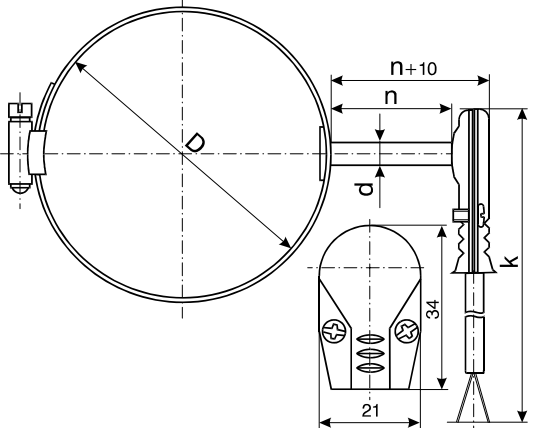


CLAMP CABLE PROBE FOR PIPE-SURFACE MEASUREMENT Sheath - stainless steel (see table notes) Clamp - see table notes Cable - see table notes	Tx (TSTx)			DIMENSIONS	
	SENSITIVE ELEMENT	CABLE TYPE	TEMPERATURE RANGE	d [mm]	wires
<p>STRAIGHT-TUBE DESIGN (T)</p>  <p>$n = 20 \dots 100 \text{ mm}$ $D = 21 \dots 311 \text{ mm}$ $k = 1 \dots 10 \text{ m}$</p>	RTD Design				
	<p>1 x Pt (RB,RD,RF,RG)</p>	<p>SLSL, TSL, YY, UU, YU</p>	<p>T9 -50...200 °C T1* -50...400 °C</p>	<p>4.5, 5 6</p>	<p>2, 3* 2, 3, 4*</p>
<p>2 x Pt (RB,RD,RF,RG)</p>	<p>GLGL, TT</p>	<p>T7 0...200 °C T8 0...400 °C</p>	<p>6</p>	<p>2x2</p>	
<p>1 x Cu (RH, RK)</p>	<p>SLSL, TSL, YY, UU, YU</p>	<p>T9 -50...200 °C</p>	<p>5* 6</p>	<p>2, 3* 2, 3, 4*</p>	
<p>2 x Cu (RH, RK)</p>	<p>GLGL, TT</p>	<p>T7 0...200 °C</p>	<p>6</p>	<p>2x2</p>	
<p>1 x PTC (RP, RQ)</p>	<p>SLSL, TSL, YY, UU, YU GLGL, TT</p>	<p>T12 -50...100 °C T19 0...100 °C</p>	<p>6</p>	<p>2, 3</p>	
<p>DESIGN WITH ANGLED TERMINATION (TL)</p>  <p>$n = 20 \dots 100 \text{ mm}$ $D = 21 \dots 311 \text{ mm}$ $k = 1 \dots 10 \text{ m}$</p>	Thermocouple Design				
	<p>1 x K, 1 x N, 1 x E</p>	<p>SLSL, TSL, YY, UU, YU GLGL, TT</p>	<p>T9 -50...200 °C T1* -50...400 °C T8 0...400 °C</p>	<p>4.5, 5, 6</p>	<p>2</p>
<p>1 x J, 1 x T</p>	<p>SLSL, TSL, YY, UU, YU GLGL, TT</p>	<p>T9 -50...200 °C T1* -50...400 °C T8 0...400 °C</p>	<p>4.5, 5, 6</p>	<p>2</p>	
<p>Sheath material: 1.4301 (M1), 1.4541 (M2), 1.4571 (M3), 1.4404 (M9)</p> <p>Cable type: - GLGLP(V) (glass fiber w/ steel braid, max. 400 °C ambient temperature) - SLSL or TSL (silicone, max. 250 °C ambient temperature) - TT (Teflon®, max. 250 °C ambient temperature) - YY (PVC, max. 100 °C ambient temperature) - UU or YU (PUR, max. 80 °C ambient temperature)</p> <p>Tip shape: - RTD: standard - T/C: standard (isolated) or grounded (see Appendix - Tip shapes)</p> <p>Accuracy class: - RTD: 'A', 'B', or '2xB' - T/C: '1' or '2' (see Appendix - RTD or T/C Tolerance)</p> <p>Cable connector: 4-pin (C3), 'T/C standard' (C5) or 'T/C miniature' (C6) (see Appendix - Connectors)</p> <p>Available clamp sizes (pipe OD): 21...44 mm; 40...64 mm; 59...83 mm; 78...102 mm; 92...165 mm; 143...216 mm; 181...254 mm; 238...311 mm; other on request</p>					
<p>* Please contact COMECO!</p>					

Ordering code TST(L) - G1G2.G3.G4.G5.G6.G8.G10.G11.G12.G14.G15 - #1

Code	Feature or option	Code values	
G1	Number of sensors	1 or 2	
G2	Sensor	RB - Pt50, RD - Pt100, RF - Pt500, RG - Pt1000, RH - Cu50, RK - Cu100, RP - PTC 1k, RQ - PTC 2k, J - T/C type "J", K - T/C type "K", T - T/C type "T", N - MI T/C type "N" ⁽¹⁾ , E - MI T/C type "E" ⁽¹⁾ , T - MI T/C type "T" ⁽¹⁾	
G3	Temperature range	T1 - -50...400 °C, T7 - 0...200 °C, T8 - 0...400 °C, T9 - -50...200 °C, T12 - 50...100 °C, T19 - 0...100 °C	
G4	Diameter 'd' [mm]	regular sensor	5, 6
		MI sensor ⁽¹⁾	4.5, 6
G5	Clamp diameter 'D'	30 (min. 21 mm ... max. 44 mm), 50 (min. 40 mm ... max. 64 mm), 70 (min. 59 mm ... max. 83 mm), 90 (min. 78 mm ... max. 102 mm), 130 (min. 92 mm ... max. 165 mm), 180 (min. 143 mm ... max. 216 mm), 220 (min. 181 mm ... max. 254 mm), 270 (min. 238 mm ... max. 311 mm)	
G6	Probe length 'n' [mm]	20...100	
G8	Cable length 'k' [m] and type	1GL...10GL - glass fiber, 1SL...10SL - silicone, 1TF...10TF - Teflon®, 1PU...10PU - polyurethane ⁽⁶⁾ , 1PV...10PV - PVC	
G10	Sheath material (wetted parts)	M1 - 1.4301, M2 - 1.4541, M3 - 1.4571, M9 - 1.4404	
G11	Accuracy class	RTD	X - none ⁽²⁾ , A - 'A', B - 'B', C - '2xB'
		T/C	1 - '1' ⁽⁶⁾ , 2 - '2'
G12	Number of wires ⁽³⁾	2, 3, 4 ⁽⁶⁾	
G14	Tip shape (hot junction) ⁽⁴⁾	X - standard (isolated from sheath), G - grounded	
G15	Connector	X - none, C3 - 4-pin male plug-in connector ø8 (for H5700 thermometer only), C5 - T/C connector, C6 - miniature T/C connector	
#1	Options	X - none, OV - vibration proof (MgO or Silicone filled) ⁽⁵⁾ , OS - cable protection SS spring (≈ 50 mm), OB - braid termination lead (only w/o connector), OP - electrochemically polished sheath surface ⁽⁵⁾	

⁽¹⁾ Only for TSTL!

⁽²⁾ For non-Pt sensors

⁽³⁾ Only for RTD sensors!

⁽⁴⁾ Only for thermocouples!

⁽⁵⁾ Only for non-MI (regular) sheath types!

⁽⁶⁾ Contact COMECO!