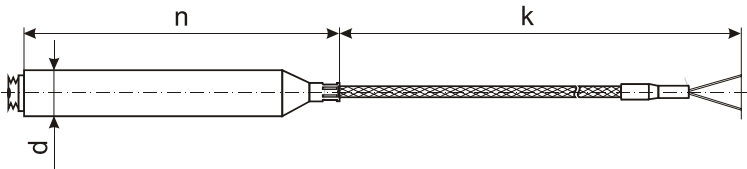


SPRING THERMOCOUPLE FOR SURFACE MEASUREMENT Sheath - stainless steel (see table notes) Extension cable - see table notes	TSAS	SENSITIVE ELEMENT	TEMPERATURE RANGE	DIMENSIONS	
				WIRE [mm]	d [mm]
 <p>n = 80 ... 160 mm k = 1 ... 10 m</p>	1 x J, 1 x T	T8 0...400 °C	0.5	10, 12	
	1 x K, 1 x N	T4 0...800 °C	0.5	10, 12	
<p>Sheath material: 1.4301 (M1), 1.4541 (M2), 1.4571 (M3), 1.4404 (M9)</p> <p>Cable type: - GLGLP(V) (glass fiber w/ steel braid, max. 400 °C ambient temperature) - SLSL or TSL (silicone, max. 250 °C ambient temperature) - TT (Teflon®, max. 250 °C ambient temperature)</p> <p>Tip shape: exposed hot junction, flat-surfaced (see Appendix - Tip Shapes)</p> <p>Accuracy class: '1' or '2' (see Appendix - T/C Tolerance)</p> <p>Thermocouple connector: 'standard' (C5) or 'miniature' (C6) (see Appendix - Connectors)</p>					

Ordering code TSAS - G2.G3.G4.G6.G8.G10.G11.G15 - #1

Code	Feature or option	Code values
G2	Thermocouple	J - type "J", K - type "K", T - type "T", N - type "N"
G3	Temperature range	T4 - 0...800 °C, T8 - 0...400 °C
G4	Diameter 'd' [mm]	10, 12
G6	Probe length 'n' [mm]	80...160
G8	Cable length 'k' [m] and type	1GL...10GL - glass fiber, 1SL...10SL - silicone, 1TF...10TF - Teflon®
G10	Sheath material	M1 - 1.4301, M2 - 1.4541, M3 - 1.4571, M9 - 1.4404
G11	Accuracy class	1 - '1' ⁽¹⁾ , 2 - '2'
G15	Connector	X - none, C5 - T/C connector, C6 - miniature T/C connector
#1	Options	X - none, OS - cable protection SS spring (≈ 50 mm), OB - braid termination lead (only w/o connector), OP - electrochemically polished sheath surface

⁽¹⁾ Contact COMECO!