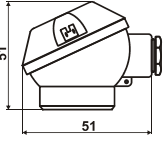
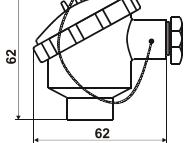
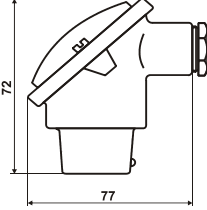
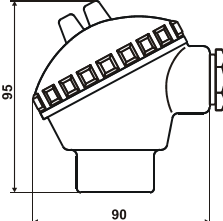
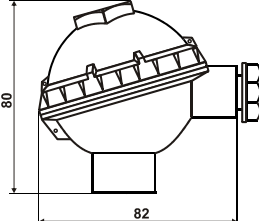
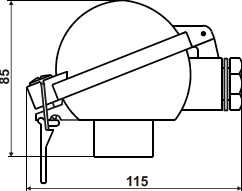
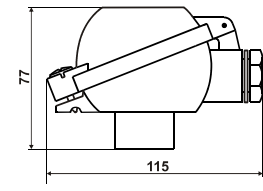
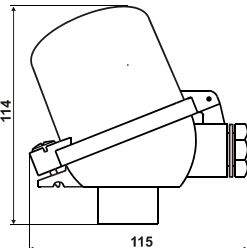
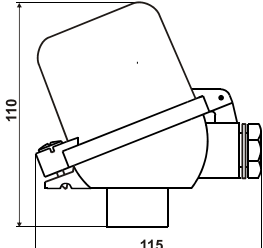
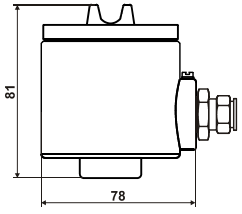
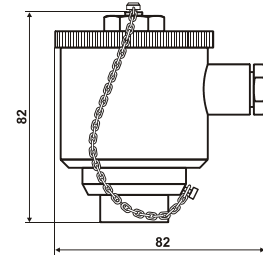
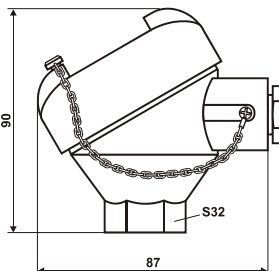
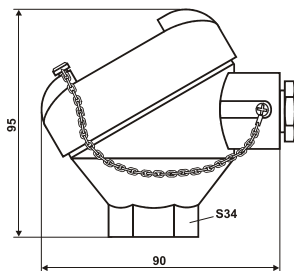
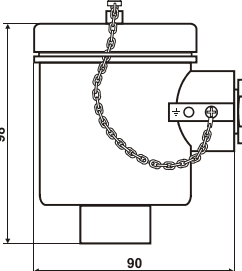
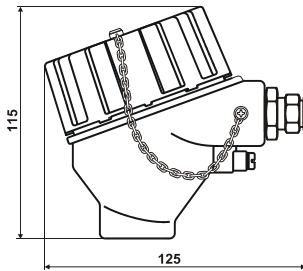
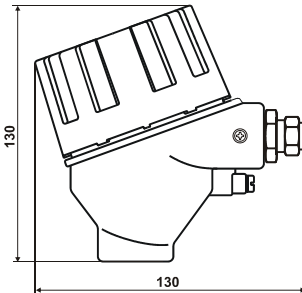
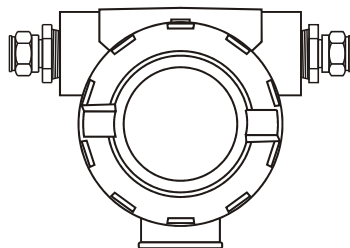


Protection Heads

 <p>51 51</p>	 <p>62 62</p>	 <p>72 77</p>	 <p>95 90</p>	 <p>80 82</p>
IP55	IP65	IP55	IP65	IP65
aluminum	aluminum	aluminum	aluminum / stainless steel	PPO plastic (130 °C)
 <p>85 115</p>	 <p>77 115</p>	 <p>114 115</p>	 <p>110 115</p>	
IP65	IP65 windowed head type "D"	IP65 head type "D" with high cap	IP65 windowed head type "DH"	
aluminum	aluminum, glass	aluminum	aluminum, glass	
 <p>81 78</p>	 <p>82 82</p>	 <p>90 87 S32</p>	 <p>95 90 S34</p>	
IP65	IP65	IP65	IP65	
aluminum	stainless steel (316)	stainless steel (316)	cast iron	
 <p>98 90</p>	 <p>115 125</p>	 <p>130 130</p>		
IP66 ATEX - IIGD Ex 'd' IIC	IP68 ATEX - IIGD Ex 'd' IIC	IP68 windowed head type "EG"	IP68 explosion-proof instrument housing	
stainless steel (316)	aluminum / stainless steel	aluminum, glass / stainless steel, glass	aluminum or stainless steel, glass	