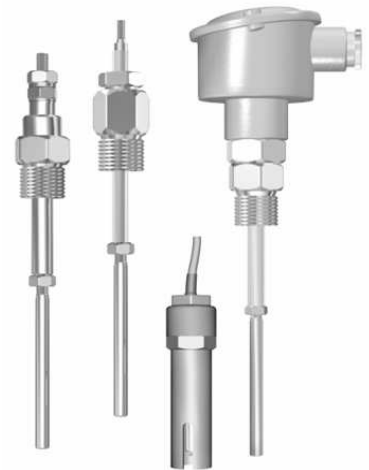


### Single-point Conductive Level Probe LCSA

- ◆ Applicable to conductive liquids
- ◆ 200 °C maximum liquid temperature
- ◆ Compatible with LC level controllers
- ◆ Fixed or changeable rod with PTFE insulation
- ◆ Submersible variant
- ◆ ATEX certified Ex version available

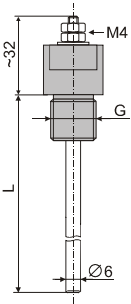
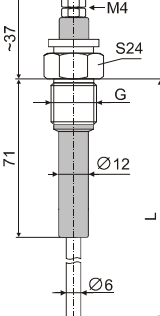
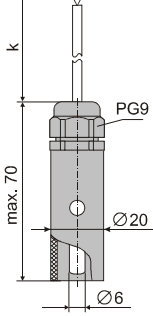
The LCSA single-point level probe (conductivity cell electrode) is designed for usage in combination with conductivity level controllers/indicators, such as the controller series LC produced by COMECO. The probe's wetted parts are made of (insulated) stainless steel and thus allow usage in the food, pharmaceutical, and chemical industries. LCSA can be mounted on various vessels: metal or nonmetal, open-surface, closed, or pressurized. Different designs are available for solving various level measurement problems: protection against condensation and dripping, protection of leads from excessive moisture, usage in deep wells, etc.



#### Technical specifications

Variant	3	5	5S	R
<b>Specifications</b>				
<b>Description</b>	probe with fixed rod		socket for changeable rods	changeable rod
<b>Installation</b>	horizontal, vertical		horizontal, vertical	horizontal, vertical
<b>Probe length ('L')</b>	50...300 mm		-	25...2000 mm
<b>Process connection</b>	3/8", 1/2", M18x1.5, M20x1.5, flange, or custom			-
<b>Rod connection</b>	fixed		M6 (female)	M6 (male)
<b>Wetted parts</b>	stainless steel, PTFE			
<b>Probe insulation</b>	PTFE		PTFE	-
<b>Rod insulation (option)</b>	PTFE tube w/ length up to L-50		-	PTFE tube w/ length up to L
<b>Operating temperature</b>	-20...200 °C			
<b>Operating pressure</b>	up to 25 bar		up to 16 bar	-
<b>Housing</b>	protection head or connector DIN 43650			-
<b>Wiring</b>	open screw w/ nuts	in-head screw w/ nuts <sup>(1)</sup>		-
<b>ATEX approval</b>	-	II 2G Ex d IIC T6 -20°C≤Ta≤+60°C, II 2D Ex tDA21 IP65 T80°C		-

<sup>(1)</sup> Screw terminals inside female header for DIN 43650 connector

Variant	1	2	4
<b>Specifications</b>			
<b>Installation</b>	horizontal		submersible
<b>Probe length ('L')</b>	25...300 mm	80...300 mm	-
<b>Process connection</b>	3/8", 1/2", M18x1.5, M20x1.5, or custom		cable: 0...50 m
<b>Rod material</b>	stainless steel		
<b>Connection nipple material</b>	POM (Polyacetal)	stainless steel	-
<b>Probe insulation</b>	POM (Polyacetal)	PTFE	POM (Polyacetal)
<b>Rod insulation (option)</b>	PTFE tube w/ length up to L-20	PTFE tube w/ length up to L-80	none
<b>Operating temperature</b>	-20...90 °C	-20...200 °C	-20...90 °C
<b>Operating pressure</b>	up to 2 bar		up to 6 bar
<b>Wiring</b>	open screw and nut		free cable ends

**Ordering code** LCSA\* - G0.G6.G8.G9.G10 - #1

Code	Feature or option	Code values
*	Variant	1, 2, 3, 4, 5, 5S, R
G0	Housing <sup>(2)</sup>	C7 - DIN 43650 detachable 4-pin connector, B - head type "B", MA - head type "MA", MB - head type "MB", G - head type "G", EG - head type "EG", EGS - head type "EGS" <sup>(6)</sup> , EGW - head type "EGW", ES - head type "ES" <sup>(6)</sup>
G6	Probe (rod) length 'L' [mm] <sup>(3)</sup>	25...2000 (see tables above)
G8	Cable length 'k' [m] and type <sup>(4)</sup>	1PV...50PV - PVC, 1SL...50SL - silicone, 1PU...50PU - polyurethane <sup>(6)</sup>
G9	Process connection <sup>(5)</sup>	Q1 - M18X1.5, Q2 - M20X1.5, Q3 - G3/8", Q4 - G1/2", Q9 - NPT 3/8", Q10 - NPT 1/2", F - flange (specify!), Z - other (specify!)
G10	Rod (socket) material	M1 - 1.4301, M2 - 1.4541, M3 - 1.4571, M9 - 1.4404, M15 - 1.4362
#1	Rod insulation <sup>(3)</sup>	X - none (non-insulated rod), TF - PTFE protective tube

<sup>(2)</sup> Only for variants '5' and '5S'

<sup>(3)</sup> Omit for variants '4' and '5S'

<sup>(4)</sup> Only for variant '4'

<sup>(5)</sup> Omit for variants '4' and 'R'

<sup>(6)</sup> Contact COMECO!