

High-precision Universal Programmable 2-wire Transmitter



IPAQ-LPLUS offers outstanding accuracy, stability and high isolation combined with short response time and extended functionality. It is a universal 2-wire transmitter for high-demand temperature and process measurement applications. Error corrections and sensor diagnostics improve the measurement accuracy and safety.

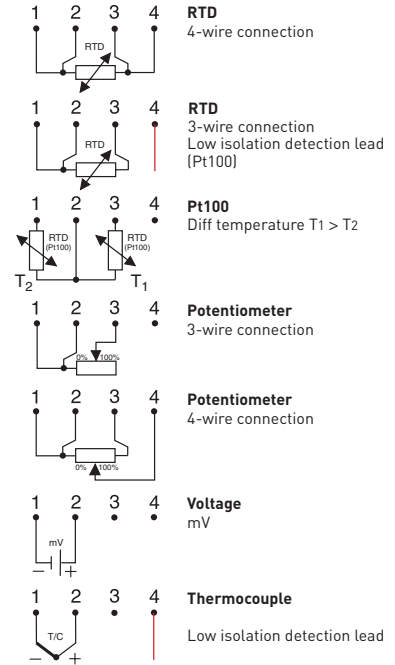
- Fully universal, linearized and highly isolated
- Accepts RTD, T/C, mV and Ω
- Extra high accuracy and stability
- Sensor error and system (sensor/transmitter) error correction for highest total accuracy
- 40 point linearization - any sensor can be matched
- Configuration without external power
- High speed update (300 ms)
- Selectable output limits
- Low sensor isolation detection
- Full access to all features while in operation
- NAMUR compliant
- Simplified loop check-up with calibration output
- Test output without breaking the loop
- IPRO, easy-to-use Windows configuration software

Specifications:

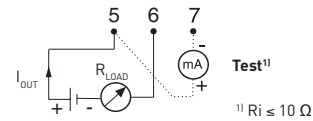
| | |
|--|--|
| Input RTD | 3-, 4-wire connection |
| Pt100 ($\alpha=0.00385$) | -200 to +1000 °C / -328 to +1832 °F |
| Pt1000 ($\alpha=0.00385$) | -200 to +200 °C / -328 to +392 °F |
| PtX $10 \leq X \leq 1000$ ($\alpha=0.00385$) | Upper range depending on X-value |
| Pt100 ($\alpha=0.003902$) | -200 to +1000 °C / -328 to +1832 °F |
| Pt100 ($\alpha=0.003916$) | -200 to +1000 °C / -328 to +1832 °F |
| Ni100 ¹⁾ , Ni120 ²⁾ | -60 to +250 °C / -76 to +482 °F |
| Ni1000 ¹⁾ | -100 to +150 °C / -148 to +302 °F |
| Cu10 ³⁾ | -200 to +260 °C / -328 to +500 °F |
| Input Potentiometer / resistance | 3-, 4-wire connection 0 to 2000 Ω |
| Input Thermocouples | Types B, C, E, J, K, L, N, R, S, T, U |
| Input mV | -10 to +500 mV |
| Sensor failure / Low isolation | User definable output |
| Adjustments - Zero | Any value within range limits |
| Adjustments - Minimum spans | |
| Pt100, Pt1000, Ni100, Ni1000 | 10 °C / 18 °F |
| Potentiometer | 5 Ω |
| T/C, mV | 2 mV |
| Output | 4-20/20-4 mA, temperature linear |
| Operating temperature | -20 to +70 °C / -4 to +158 °F |
| Galvanic isolation | 3750 VAC, 1 min |
| Power supply | 7.5 to 36 VDC |
| Typical accuracy | ± 0.05 % of span |
| Mounting | Rail acc. to DIN EN50022, 35 mm |

¹⁾DIN 43760 ²⁾Edison No. 7 ³⁾Edison No. 15

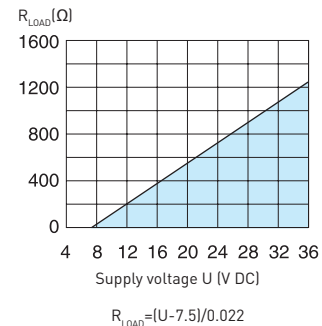
Input connections



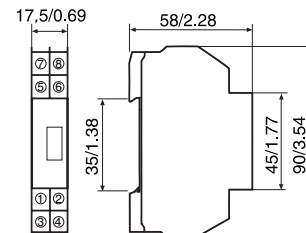
Output connections



Output load diagram



Dimensions



Ordering information

| | |
|----------------------|------------|
| IPAQ-L PLUS | 70IPLP0001 |
| PC Configuration Kit | 70CFG00092 |
| Configuration | 70CAL00001 |